

SOCKETED REBOUND SIGNMASTER



Installation Instruction Leaflet



Ensure that personnel carrying out this installation have the relevant qualifications/certificates.

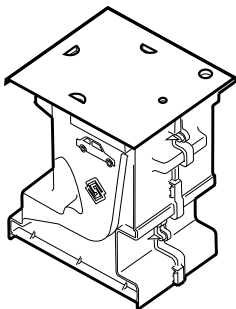
Ensure that all relevant personnel read the points listed within this leaflet and that a copy is given to staff involved with the installation and maintenance of this product.

Please refer to 'The Manual Handling Operations Regulations 1992'. Glasdon recommends that a full Health and Safety analysis is carried out prior to installation.

KIT CONTENTS

- Bollard
- Socket
- Socket Plug
- Key

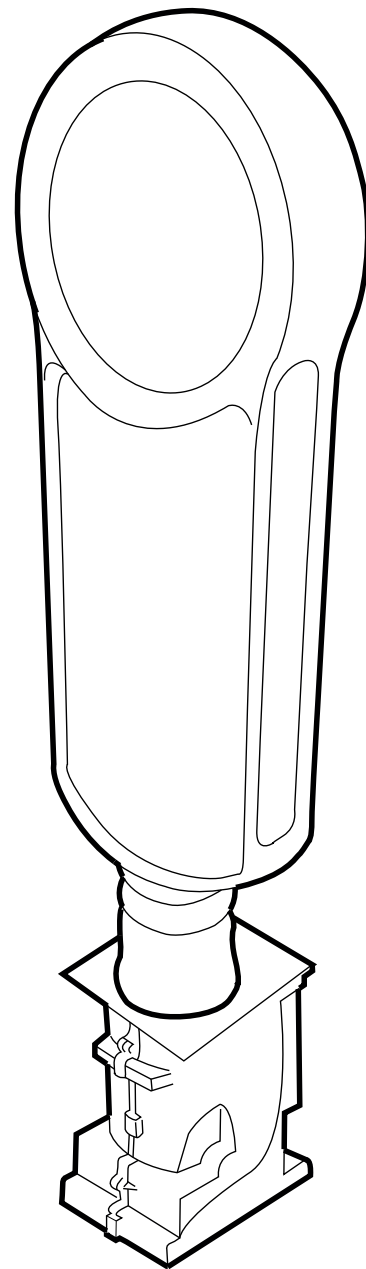
OPTIONAL INSTALLATION PLATE



See page 2 for instructions

EQUIPMENT REQUIRED

- Spade
- Tape Measure
- Spirit Level
- Concrete Mix (we suggest using a quick setting concrete i.e. QC10 for all installations)
- Safety Equipment (hard hat, mask, goggles, reflective clothing etc.)

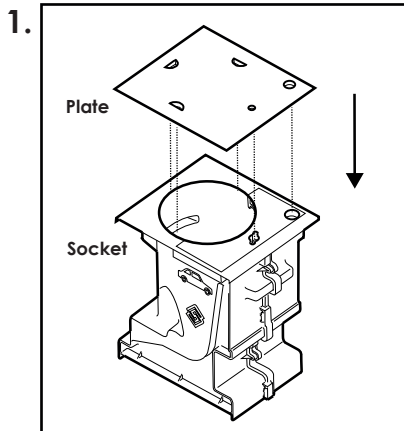


Note: Diagrams not to scale

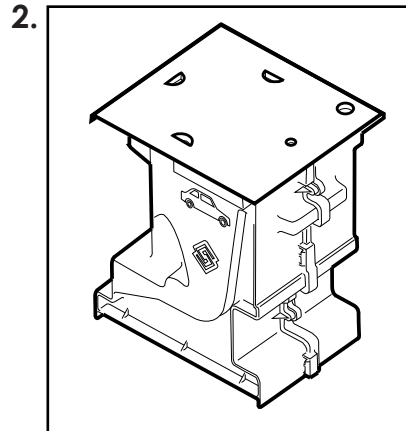
SOCKETED REBOUND SIGNMASTER



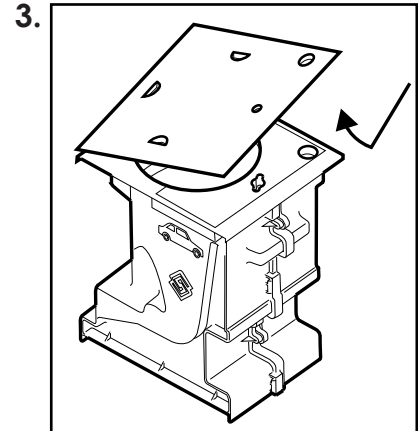
Insert and Remove Optional Installation Plates



Align the installation plate with the top of the socket.

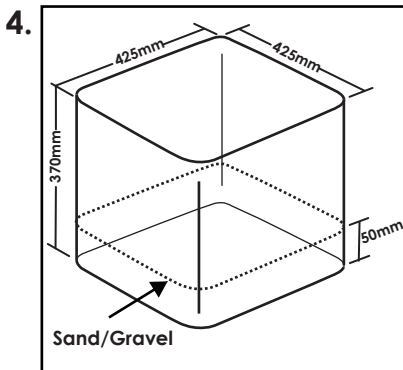


Press the plate firmly into position, force-fitting it securely, ready for concrete.



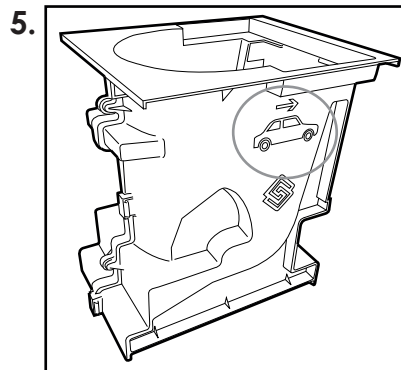
When installation is complete, remove plate by using any flat implement to lift underneath the plate edge.

To Install Socket

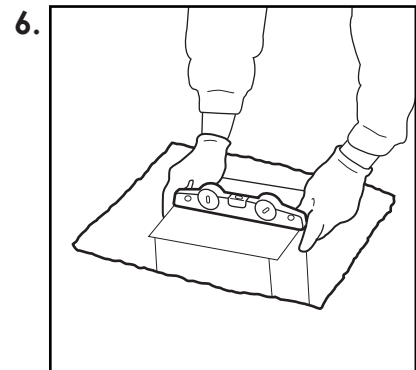


Excavate the hole to a minimum of the above dimensions, and lay sand/gravel for drainage.

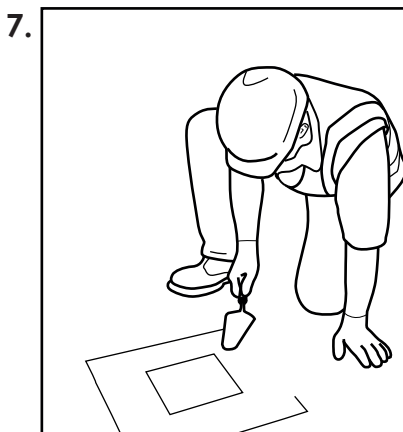
When excavating take care to avoid any buried services.



Position the socket in the hole. Use the indicated arrows on the socket to ensure bollard will be positioned correctly for the traffic requirements at site.

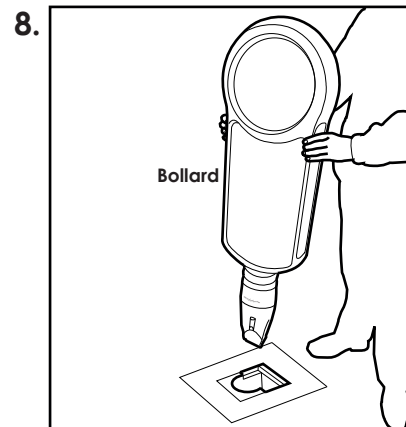


Use a spirit level to ensure the top of the socket is flush with ground. Add or remove gravel as required until level surface is achieved.

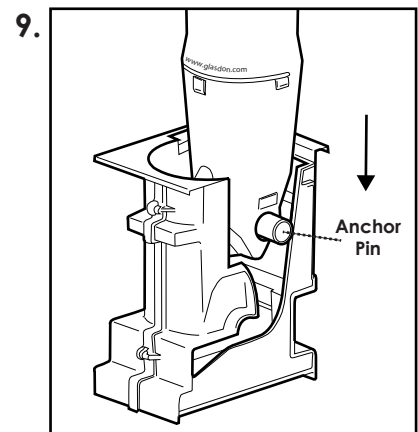


Fill hole with concrete, ensuring socket does not shift. Check for flush and smooth finish. Allow at least 24hrs to set.

To Install Bollard

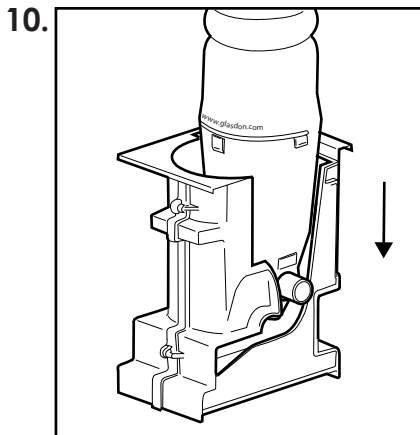


Remove installation plate, if used, and lower bollard into socket.

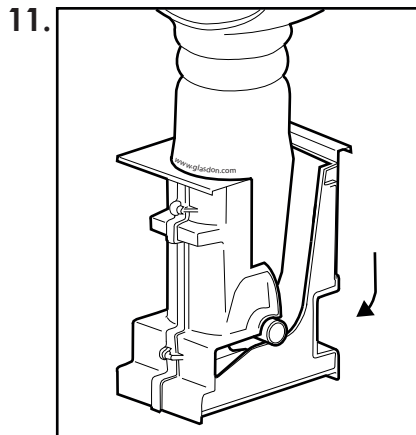


Align anchor pin with slots on inside of socket as bollard is lowered.

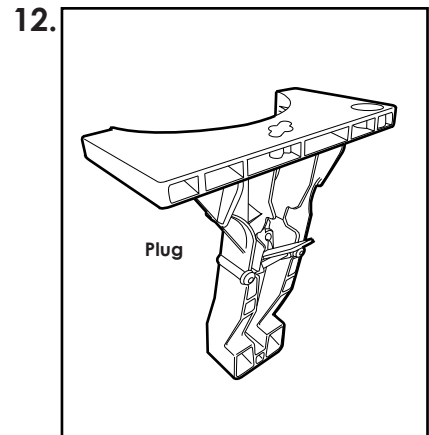
SOCKETED REBOUND SIGNMASTER



The socket guides the anchor pin and bollard as it is lowered, as shown in this cross-section.

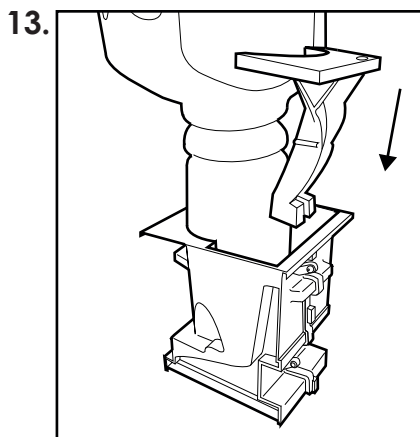


The anchor pin slides forward into its final seat, and the bollard is pushed forward into position.

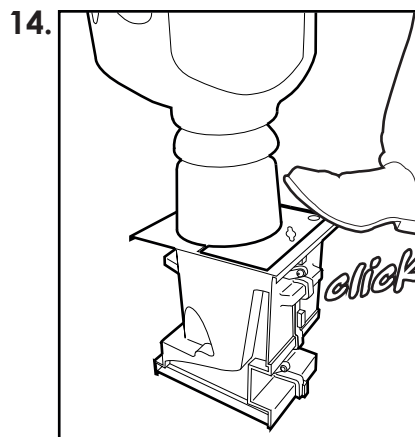


Find the socket plug and position the round edge to face the bollard.

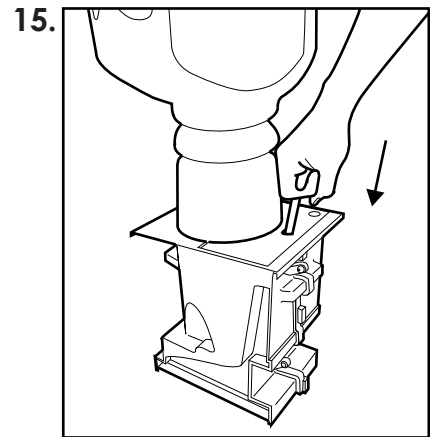
To Remove Socket Plug & Bollard



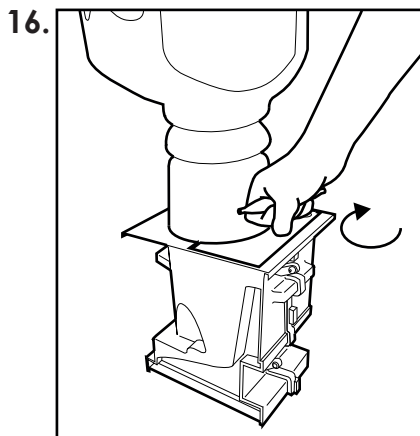
Insert the plug into the rear of the socket.



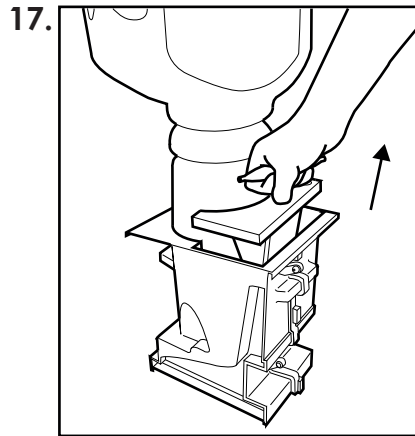
To secure the bollard in position, firmly press the plug into the socket until a click is heard.



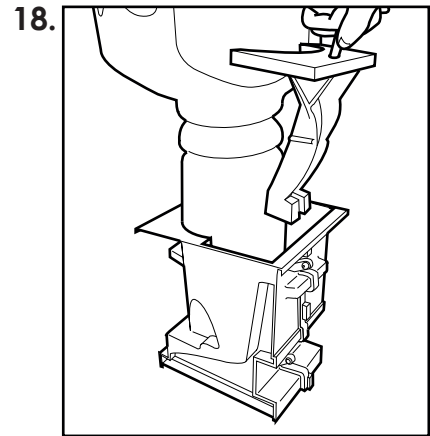
Insert key firmly into plug T slot and press downwards on internal locking plate.



Turn the key clockwise to locate under T slot.




Use the key as a handle and pull plug upwards firmly to release.



Remove plug from the socket and pull bollard towards you. The bollard can now be lifted out of socket.

SOCKETED REBOUND SIGNMASTER



 **Glasdon** AND SOCKETED REBOUND SIGNMASTER ARE TRADEMARKS OF GLASDON GROUP OR ITS SUBSIDIARIES IN THE U.K. AND OTHER COUNTRIES

- A planned maintenance schedule of regular inspection is recommended, replacing components as necessary.
- Replacement components are available direct from GLASDON UK LIMITED.
- GLASDON UK LIMITED cannot be held responsible for claims arising from incorrect installation, unauthorised modifications or misuse of the product.

Issue 1 November 2012 C000/0430
© Copyright 2012
Glasdon UK Ltd reserve the right to alter specifications without prior notice.



Glasdon

Glasdon U.K. Limited

Preston New Road
BLACKPOOL
Lancashire FY4 4UL
Tel: 01253 600410

Fax: 01253 792558
email: sales@glasdon-uk.co.uk
web: www.glasdon.com